



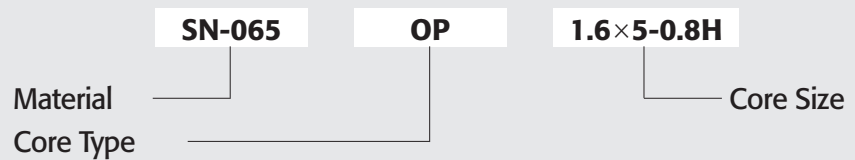
EMC CORES

OP1.6~OP28, OR9.5~OR34.8

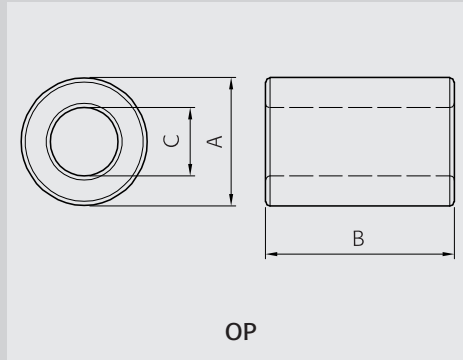
OPS18.4~OPS22

SS29~SS35

Ordering Code System



OP CORES



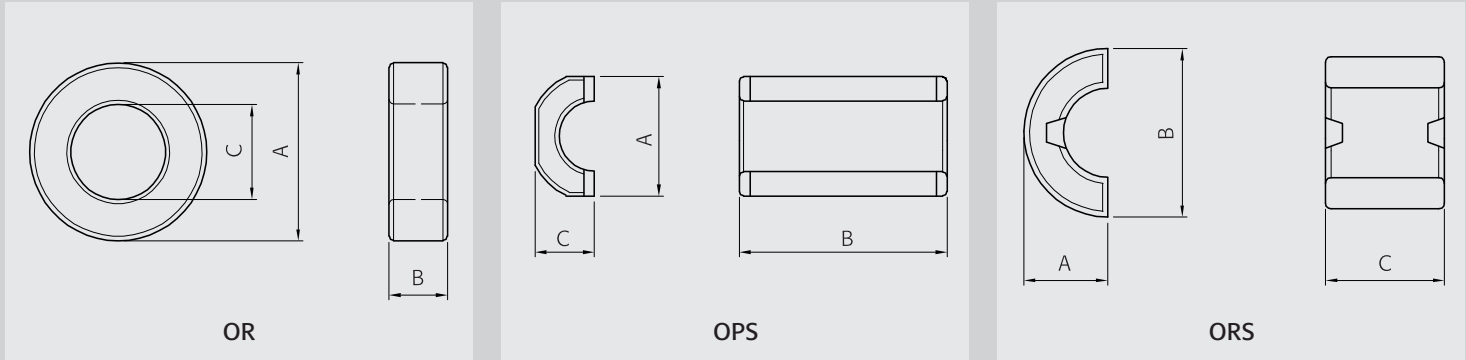
Part No.	Type	Dimensions in mm		
		A	B	C
OP1.6×5-0.8H	OP	1.60 ^{+0.15} / _{-0.00}	5.00 ^{+0.00} / _{-0.40}	0.80 ^{+0.15} / _{-0.00}
OP2.5×5-0.8H	OP	2.50 ±0.20	5.00 ±0.20	0.80 ±0.10
OP3.5×5-0.8H	OP	3.50 ^{+0.10} / _{-0.05}	5.00 ±0.20	0.80 ^{+0.10} / _{-0.00}
OP3.5×5-1.2H	OP	3.50 ^{+0.10} / _{-0.05}	5.00 ±0.20	1.20 ^{+0.10} / _{-0.00}
OP3.5×5.7-0.8H	OP	3.50 ^{+0.10} / _{-0.05}	5.70 ^{+0.30} / _{-0.00}	0.80 ^{+0.10} / _{-0.00}
OP3.5×6.5-0.8H	OP	3.50 ^{+0.10} / _{-0.05}	6.50 ^{+0.00} / _{-0.40}	0.80 ^{+0.10} / _{-0.00}
OP3.5×8-0.8H	OP	3.50 ^{+0.10} / _{-0.05}	8.00 ±0.20	0.80 ^{+0.10} / _{-0.00}
OP3.5×10-0.8H	OP	3.50 ^{+0.20} / _{-0.00}	10.00 ^{+0.25} / _{-0.15}	0.80 ^{+0.15} / _{-0.05}
OP3.5×12-0.8H	OP	3.50 ^{+0.20} / _{-0.00}	12.00 ^{+0.25} / _{-0.15}	0.80 ^{+0.15} / _{-0.05}
OP3.5×14-0.8H	OP	3.50 ^{+0.20} / _{-0.00}	14.00 ^{+0.25} / _{-0.15}	0.80 ^{+0.15} / _{-0.05}
OP4.5×5-1.5H	OP	4.50 ^{+0.05} / _{-0.20}	5.00 ±0.30	1.50 ^{+0.20} / _{-0.05}
OP5×5-2.5H	OP	5.00 ^{+0.00} / _{-0.20}	5.00 ^{+0.00} / _{-0.30}	2.50 ±0.10
OP8×12-3.5H	OP	8.00 ±0.30	12.00 ±0.50	3.50 ±0.30
OP9.5×9.5-4.75H	OP	9.50 ±0.30	9.50 ±0.30	4.75 ±0.25
OP9.5×20-4.75H	OP	9.50 ±0.30	20.00 ±0.50	4.75 ±0.25
OP9.8×7.4-6.3H	OP	9.80 ±0.30	7.40 ±0.30	6.30 ±0.30
OP9.8×24.5-4.9H	OP	9.80 ±0.30	24.50 ^{+0.40} / _{-0.50}	4.90 ±0.25

Core Set Parameters					
C1(mm ⁻¹)	Le(mm)	Ae(mm ²)	Ve(mm ³)	Aw(mm ²)	W(g)
1.813	3.5	1.9	7	0.5	0.1
1.103	4.2	3.8	16	0.5	0.1
0.851	4.8	5.6	27	0.5	0.3
1.174	6.1	5.2	32	1.1	0.2
0.747	4.8	6.4	31	0.5	0.4
0.655	4.8	7.3	35	0.5	0.2
0.532	4.8	9.0	43	0.5	0.4
0.426	4.8	11.3	54	0.5	0.5
0.355	4.8	13.6	65	0.5	0.7
0.304	4.8	15.8	76	0.5	0.8
1.144	7.8	6.8	53	1.8	0.4
1.813	10.9	6.0	65	4.9	0.5
0.633	16.2	25.5	412	9.6	2.9
0.954	20.7	21.7	449	17.7	3.0
0.453	20.7	45.6	944	17.7	6.1
1.922	24.5	12.7	312	31.2	2.1
0.370	21.3	57.7	1231	18.9	7.8

Part No.	Type	Dimensions in mm		
		A	B	C
OP11.8×15-7.3H	OP	11.80 ±0.30	15.00 ±0.50	7.30 ±0.30
OP12×20-5.6H	OP	12.00 ±0.40	20.00 ±0.70	5.60 ±0.20
OP13.9×15-6.9H	OP	13.90 ±0.40	15.00 ±0.50	6.90 ±0.40
OP14.2×28.5-6.4H	OP	14.20 ^{+0.30} _{-0.50}	28.50 ±0.50	6.40 ±0.30
OP14.2×28.5-7.2H	OP	14.20 ±0.50	28.00 ±0.50	7.20 ±0.40
OP14.3×23.5-8.1H	OP	14.30 ±0.50	23.50 ±0.50	8.10 ±0.50
OP14.3×23.5-8.2H	OP	14.30 ±0.50	23.50 ±0.50	8.20 ±0.50
OP16.1×17-7.9H	OP	16.10 ±0.40	17.00 ±0.50	7.90 ±0.40
OP16.1×17-8.9H	OP	16.00 ±0.40	17.00 ±0.50	8.90 ±0.30
OP16.1×28.3-7.9H	OP	16.10 ±0.40	28.30 ±0.80	8.00 ±0.30
OP17.5×28.5-9.5H	OP	17.20 ±0.50	28.50 ±0.40	9.50 ±0.30
OP18.2×25.5-11H	OP	18.20 ±0.50	25.50 ±0.70	11.00 ±0.50
OP18.3×28-9.7H	OP	18.30 ±0.50	28.00 ^{+0.40} _{-0.80}	9.70 ^{+0.40} _{-0.30}
OP18.4×28-9.5H	OP	8.40 ±0.40	28.00 ^{+0.40} _{-0.80}	9.50 ±0.40
OP25.8×28.5-13H	OP	25.80 ±0.50	28.50 ±0.50	13.00 ±0.30
OP28×28-14.5H	OP	28.00 ^{+0.30} _{-0.50}	28.00 ±0.50	14.50 ±0.50

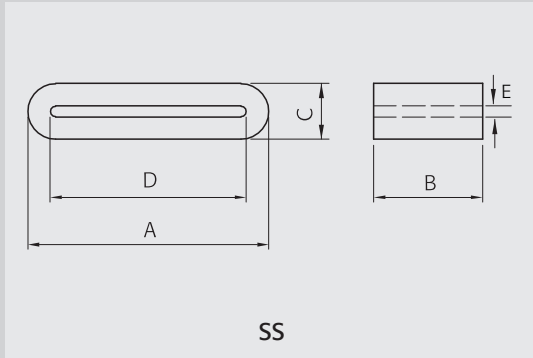
Core Set Parameters					
C1(mm ⁻¹)	Le(mm)	Ae(mm ²)	Ve(mm ³)	Aw(mm ²)	W(g)
0.872	28.9	33.1	956	41.9	5.7
0.412	25.1	61.0	1533	24.6	9.0
0.598	30.1	50.4	1520	37.4	8.8
0.277	29.2	105.4	3076	32.2	18.3
0.330	31.2	94.3	2939	40.7	17.1
0.470	33.4	70.9	2366	51.5	13.1
0.481	33.6	69.9	2346	52.8	11.5
0.519	34.7	66.8	2319	49.0	12.5
0.630	37.0	58.6	2168	62.2	12.3
0.317	34.9	110.1	3845	50.3	22.2
0.371	39.6	106.6	4217	70.9	23.0
0.489	44.0	89.9	3954	95.0	22.4
0.354	41.2	116.4	4793	73.9	24.9
0.339	40.8	120.2	4901	70.9	28.1
0.322	56.4	175.4	9898	132.7	56.5
0.341	62.2	182.3	11336	165.1	60.8

OR, OPS, ORS, SS CORES



Part No.	Type	Dimensions in mm		
		A	B	C
OR9.5x5-4.75H	OR	9.55 ±0.30	5.00 ±0.30	4.75 ±0.25
OR12.5x5.1-7.6H	OR	12.50 ±0.40	5.10 ±0.30	7.60 ±0.40
OR18.2x6.2-11H	OR	18.20 ±0.50	6.20 ±0.50	11.00 ±0.50
OR18.3x10-9.7H	OR	18.30 ±0.40	10.00 ±0.40	9.70 ±0.40
OR18.3x12-9.7H	OR	18.30 ±0.40	12.00 ±0.40	9.70 ±0.40
OR18.4x10-9.5H	OR	18.40 ±0.40	10.00 ±0.40	9.50 ±0.40
OR18.4x12-9.5H	OR	18.40 ±0.40	12.00 ±0.40	9.50 ±0.40
OR19x10-10H	OR	19.00 ±0.50	10.00 ±0.50	10.00 ±0.50
OR21x12-13H	OR	21.10 ±0.50	11.90 ±0.50	13.20 ±0.50
OR23.5x9.5-12.6H	OR	23.50 ±0.40	9.50 ±0.30	12.60 ±0.40
OR28x14-14.5H	OR	28.00 ±0.50	14.00 ±0.50	14.50 ±0.50
OR29x7.5-19H	OR	29.00 ±0.50	7.50 ±0.50	19.00 ±0.50
OR33x26-20H	OR	33.00 ±0.40	26.00 ±0.30	20.00 ±0.40
OR34x12-20H	OR	33.70 ±0.50	12.00 ±0.40	20.30 ±0.50
OR34.8x12-21H	OR	34.80 ±0.40	12.00 ±0.50	21.00 ±0.40

Core Set Parameters					
C1(mm ⁻¹)	Le(mm)	Ae(mm ²)	Ve(mm ³)	Aw(mm ²)	W(g)
1.799	20.7	11.5	239	17.72	2.85
2.476	30.3	12.2	371	45.36	2.06
2.013	44.0	21.9	961	95.03	5.69
0.990	41.2	41.6	1712	73.90	8.83
0.825	41.2	49.9	2054	73.90	11.87
0.950	40.8	42.9	1750	70.88	10.60
0.792	40.8	51.5	2101	70.88	11.77
0.979	42.6	43.5	1851	78.54	10.50
1.126	52.0	46.2	2398	136.85	11.10
1.061	53.2	50.1	2667	124.69	15.70
0.682	62.2	91.2	5668	165.13	31.39
1.981	73.2	36.9	2704	283.53	14.72
0.483	79.9	165.5	13220	314.16	66.00
1.033	81.3	78.7	6398	323.65	35.32
1.037	84.0	81.1	6812	346.36	37.28



Part No.	Type	Dimensions in mm		
		A	B	C
OPS18.4×28-9.5H	OPS	16.40 ±0.40	28.00 ±0.40	8.20 ±0.15
OPS18x28-10H	OPS	18.00 ±0.40	28.00 ±0.40	9.00 ±0.30
OPS22x28-11H	OPS	22.00 ±0.40	28.00 ±0.50	11.00 ±0.30

Core Set Parameters					
C1(mm ⁻¹)	Le(mm)	Ae(mm ²)	Ve(mm ³)	AW(mm ²)	W(g)
0.324	35.7	110.3	3940	52.81	28.45
0.324	39.2	121.1	4746	63.62	29.43
0.324	47.9	148.0	7089	95.03	45.03

ORS25x12-15H	ORS	12.50 ^{+0.20} / _{-0.30}	25.00 ±0.40	12.00 ^{+0.20} / _{-0.40}
ORS16.4×13-8.2HA	ORS	8.30 ^{+0.00} / _{-0.30}	16.30 ±0.30	13.30 ^{+0.00} / _{-0.40}
ORS16.4×16-8.2HA	ORS	8.30 ^{+0.00} / _{-0.30}	16.30 ±0.30	16.10 ^{+0.00} / _{-0.40}

6.157	38.5	6.2	240	113.10	18.74
0.750	36.6	48.8	1780	58.10	10.79
0.618	36.6	59.0	2150	58.10	13.24

Part No.	Type	Dimensions in mm					W(g)
		A	B	C	D	E	
SS29×10-8	SS	29.00 ±0.50	10.00 ±0.50	8.00 ±0.40	22.00 ±0.50	2.20 ±0.20	8.00
SS29x15-8	SS	29.00 ±0.50	15.00 ±0.30	8.00 ±0.30	21.80 ±0.50	2.00 ±0.30	13.00
SS31×12-4.7	SS	31.00 ±0.40	12.00 ±0.30	4.70 ±0.30	27.20 ±0.30	1.20 ±0.40	6.70
SS35×12-6	SS	35.00 ±0.40	12.00 ±0.30	6.00 ±0.30	30.00 ±0.30	1.00 ±0.20	10.80