

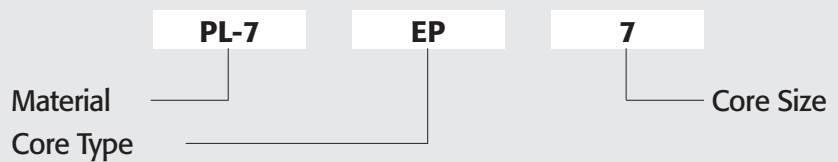
EP CORES

EP5~EP20

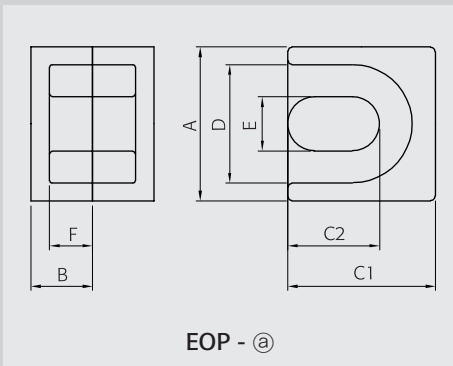
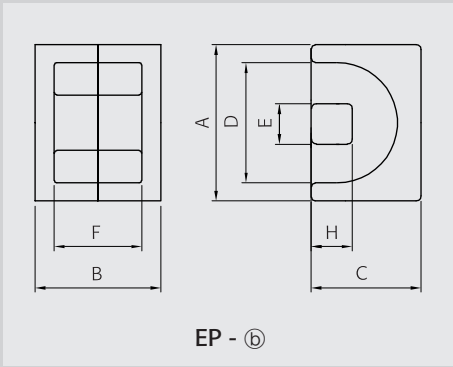
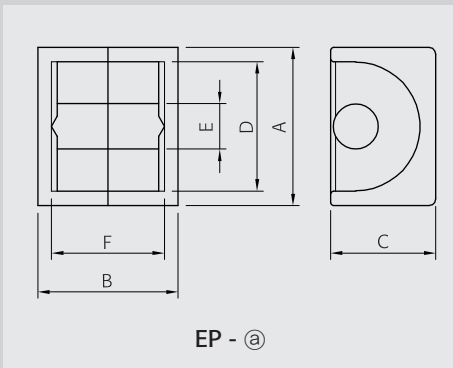
EOP9~EOP9.5

ELP12~ELP25

Ordering Code System



EP, EOP, ELP CORES



Part No.		EP5D	EP7	EP10	EP13
Type		EP - (b)	EP - (a)	EP - (a)	EP - (a)
Dimensions in mm	A	5.33 ±0.10	9.20 ±0.20	11.50 ±0.30	12.50 ±0.30
	B	5.33 ±0.20	7.40 ±0.20	10.20 ±0.20	12.85 ±0.15
	C	3.48 ±0.10	6.35 ±0.20	7.65 ±0.20	8.80 ±0.20
	C2				
	D	3.91 ±0.10	7.40 ±0.20	9.40 ±0.20	10.00 ±0.30
	D2				
	E	1.68 ±0.10	3.30 ±0.10	3.30 ±0.15	4.35 ±0.15
F	3.92 ^{+0.16} _{-0.06}	5.20 ±0.20	7.40 ±0.20	9.20 ±0.20	

Core Set Parameters		EP5D	EP7	EP10	EP13
C1(mm ⁻¹)		3.05	1.52	1.7	1.24
Le(mm)		10.4	15.7	19.2	24.2
Ae(mm ²)		3.4	10.3	11.3	19.5
Ve(mm ³)		35	162	217	472
Ac(mm ²)		2.7	8.5	8.5	14.9
Aw(mm ²)		4.2	11	23	26
W(g/set)		0.4	1.4	2.8	4.7

Electrical Characteristics ⁽¹⁾⁽²⁾		EP5D	EP7	EP10	EP13
AL value	PL-7	550	1100	1100	1600
	PL-9	690	1660	1300	2100
	PL-11	570	1140	1140	1700
	PL-13	730	1760	1320	2230
	PL-15	570	1140	1140	1700
	SM-23T	540	1100	1100	1400
	SM-43T	1000	2300	2200	3000
ST-30B	690	1530	1530	2100	
Core loss	PL-7	0.02	0.10	0.13	0.28
	PL-9	0.02	0.09	0.12	0.26
	PL-11	0.02	0.09	0.12	0.26
	PL-13	0.02	0.09	0.12	0.25
	PL-15	0.02	0.08	0.11	0.24

Note : 1) Core loss

- Unit : Watt max.
- Measuring conditions
- PL-7, PL-11, PL-15 : 100 kHz, 200mT, at 100°C
- PL-9, PL-13 : 100 kHz, 200mT, at 80°C

2) AL value

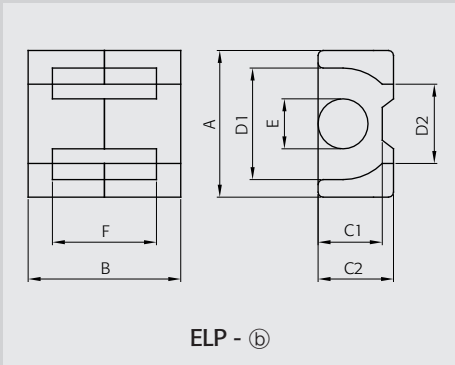
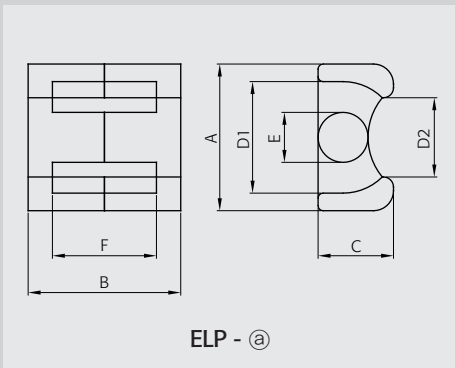
- Unit : nH/N²
- Measuring conditions : 1kHz, 0.1V, 23°C
- Tolerance : ±25%

	EP13F	EP17	EP20	EOP9.0	EOP9.5	EOP9.5D	ELP1205P	ELP1623S	ELP2522S
	EP - (a)	EP - (a)	EP - (a)	EOP - (a)	EOP - (a)	EOP - (b)	ELP - (b)	ELP - (a)	ELP - (a)
A	12.50 ±0.30	18.00 ±0.40	24.00 ±0.50	9.40 ^{+0.00} _{-0.4}	9.45 ±0.20	9.50 ^{+0.00} _{-0.40}	12.20 ^{+0.10} _{-0.40}	16.50 ±0.30	25.00 ±0.40
B	13.05 ±0.15	16.80 ±0.20	21.40 ±0.20	7.50 ^{+0.00} _{-0.20}	8.50 ±0.20	8.00 ^{+0.60} _{-0.00}	5.20 ±0.20	23.40 ±0.20	22.40 ±0.20
C	8.80 ±0.20	11.00 ±0.25	14.95 ±0.35	9.00 ^{+0.00} _{-0.40}	10.10 ±0.15	7.70 ^{+0.00} _{-0.30}	9.00 ±0.20	8.70 ±0.20	12.90 ±0.30
C2				5.60 ±0.20	6.50 ±0.15	5.74 ±0.10	7.30 ±0.15		
D	10.00 ±0.30	12.00 ±0.40	16.50 ±0.40	7.20 ^{+0.40} _{-0.00}	7.50 ±0.20	7.10 ^{+0.40} _{-0.00}	10.00 ±0.20	12.40 ±0.30	19.00 ±0.30
D2						4.50 ref.	8.60 ±0.20	8.50 min.	13.50 ±0.50
E	4.35 ±0.15	5.68 ±0.20	8.75 ±0.25	3.30 ±0.10	3.13 ±0.10	3.40 ^{+0.00} _{-0.20}	5.40 max.	5.70 ±0.10	8.60 ±0.20
F	9.40 ±0.20	11.30 ±0.30	14.30 ±0.30	4.60 ^{+0.40} _{-0.00}	5.46 ±0.20	4.70 ^{+0.40} _{-0.00}	3.00 ±0.20	17.40 ±0.20	16.40 ±0.30

C1(mm ⁻¹)	1.26	0.84	0.51	0.93	0.82	0.9	0.808	1.41	0.72
Le(mm)	24.6	28.5	39.8	15.4	19.5	19.3	15.4	44.1	49
Ae(mm ²)	19.5	33.9	78	16.5	23.8	21.4	19	31.3	67.9
Ve(mm ³)	480	966	3120	255	464	413	293	1380	3327
Ac(mm ²)	14.9	25.3	60.1	16.7	18.2	16.6	21.2	25.5	58.1
AW(mm ²)	26	36	55	9.8	11.93	11.4	7.5	59	85
W(g/set)	4.8	12.3	28.5	2.1	2.8	2	1.8	9	20

Al value	PL-7	1600	2400	4000	2100	2400	2300	2700	1500	3000
	PL-9	2200	3000	5020	2600	3100	2900	3400	1870	3750
	PL-11	1800	2500	4200	2200	2500	2400	2800	1600	3100
	PL-13	2330	3180	5320	2760	3290	3070	3600	1980	3980
	PL-15	1800	2500	4200	2200	2500	2400	2800	1600	3100
	SM-23T	1600	2400	3500	2000	2300	2200	2600	1450	2840
	SM-43T	3000	4500	6900	3700	3600	3800	4800	2700	5300
	ST-30B	2200	3340	4870	2800	3220	2900	3300	1900	3700
Core loss	PL-7	0.29	0.58	1.87	0.15	0.28	0.25	0.18	0.83	2.00
	PL-9	0.26	0.53	1.72	0.14	0.26	0.23	0.16	0.76	1.83
	PL-11	0.26	0.53	1.72	0.14	0.26	0.23	0.16	0.76	1.83
	PL-13	0.25	0.51	1.65	0.14	0.25	0.22	0.16	0.73	1.76
	PL-15	0.24	0.48	1.56	0.13	0.23	0.21	0.15	0.69	1.66

ELP CORES



Part No.		ELP2532S
Type		ELP - (a)
Dimensions in mm	A	25.00 ±0.40
	B	31.80 ±0.20
	C	12.90 ±0.30
	C2	
	D	19.00 ±0.30
	D2	13.50 ±0.50
	E	8.60 ±0.20
F	24.10 ±0.30	

Core Set Parameters	C1(mm ⁻¹)	0.91
	Le(mm)	64
	Ae(mm ²)	70.3
	Ve(mm ³)	4500
	Ac(mm ²)	58.1
	Aw(mm ²)	125
	W(g/set)	30

Electrical Characteristics ⁽¹⁾⁽²⁾	Al value	PL-7	2500
		PL-9	3100
		PL-11	2600
		PL-13	3290
		PL-15	2600
		SM-23T	2380
		SM-43T	4400
	ST-30B	3100	
	Core loss	PL-7	2.70
		PL-9	2.48
		PL-11	2.48
		PL-13	2.39
		PL-15	2.25

Note : 1) Core loss

- Unit : Watt max.
- Measuring conditions
- PL-7, PL-11, PL-15 : 100 kHz, 200mT, at 100°C
- PL-9, PL-13 : 100 kHz, 200mT, at 80°C

2) Al value

- Unit : nH/N²
- Measuring conditions : 1kHz, 0.1V, 23°C
- Tolerance : ±25%