

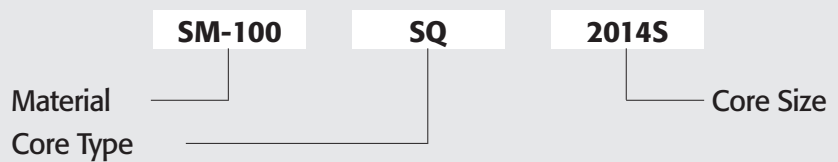
SQ, SQE, UU CORES

SQ17~SQ40

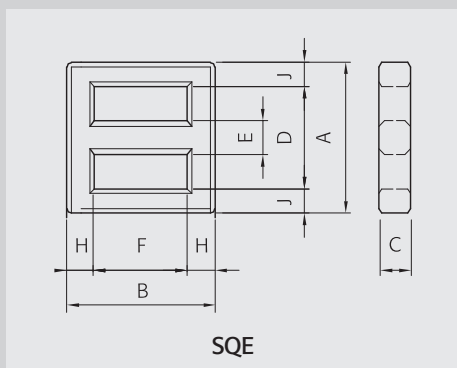
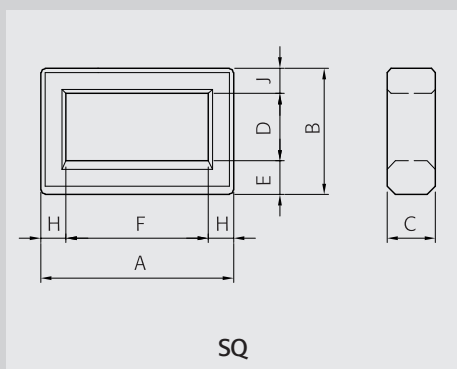
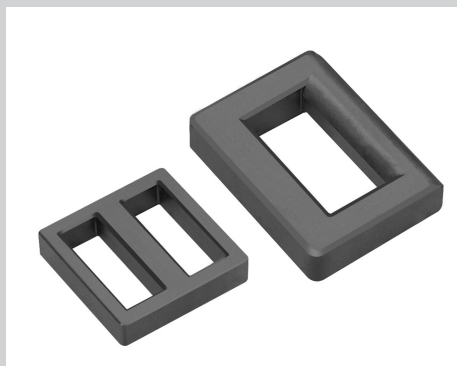
SQE20~SQE35

UU10~UU93

Ordering Code System



SQ, SQE CORES



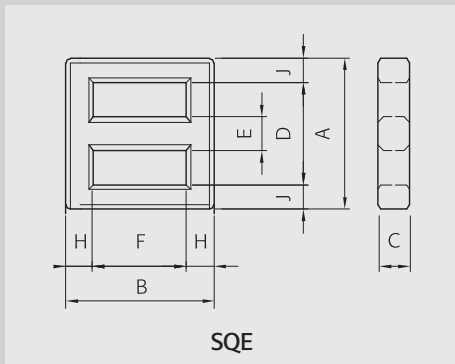
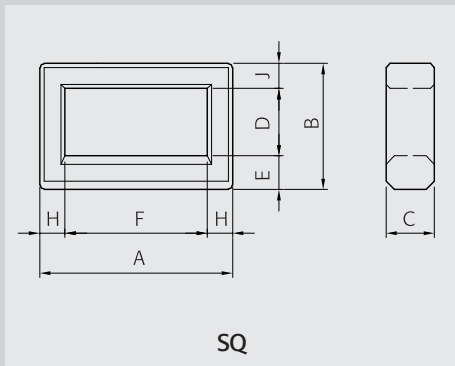
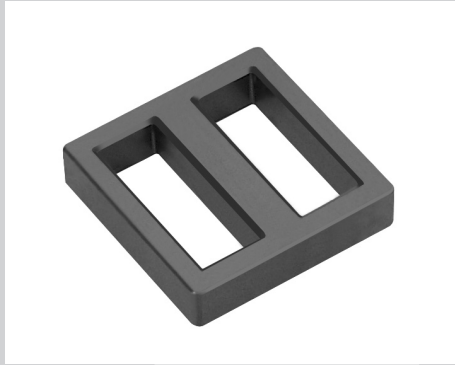
Part No.		SQ1715S	SQ2014S	SQ2115S	SQ2116S	
Type		SQ	SQ	SQ	SQ	
Dimensions in mm	A	17.60 ±0.20	20.60 ±0.30	21.50 ±0.30	21.50 ±0.20	
	B	15.00 ±0.20	14.10 ±0.25	14.90 ±0.20	15.80 ±0.25	
	C	3.60 ±0.20	4.60 ±0.20	3.70 ±0.15	4.60 ^{+0.00} _{-0.20}	
	D	4.55 ±0.20	7.25 min.	6.65 min.	7.00 ±0.20	
	E	3.75 ±0.15	4.20 ±0.20	4.30 ±0.15	4.40 ±0.20	
	F		15.70 min.	15.40 min.	15.30 ±0.20	
	H	3.00 ±0.15	2.30 ±0.15	2.90 ±0.15	3.10 ±0.15	
J		2.40 ±0.15	3.70 ±0.15			
Core Set Parameters	C1(mm ⁻¹)	3.220	4.410	4.350	2.780	
	Le(mm)	45.8	53.1	55.1	55.0	
	Ae(mm ²)	14.2	12.0	12.6	19.8	
	Ve(mm ³)	651	639	698	1088	
	Ac(mm ²)					
	Aw(mm ²)	52.8	120.0	108.0	107.1	
	W(g/set)	3.2	3.7	3.6	4.8	
Electrical Characteristics	Al value	SM-50	1950	1400	1430	2260
		SM-60	2340	1710	1730	2710
		SM-70S	2930	2100	2150	3390
		SM-100	3900	2800	2870	4520
		SM-120	4700	3400	3400	5400

Note : 1) Al value

- Unit : nH/N²
- Measuring conditions : 1kHz, 0.1V, 100Ts, at 23°C
- Tolerance : ±25% (SM-100, SM-120 : ±30%)

	SQ2215S	SQ4030S	SQE2020S	SQE2215S	SQE2222S	SQE2424S	SQE2626S	SQE2828S	SQE2930S	
	SQ	SQ	SQE	SQE	SQE	SQE	SQE	SQE	SQE	
A	21.50 ±0.30	40.70 ±0.40	20.10 ±0.40	21.50 ±0.30	23.50 ±0.30	24.20 ±0.50	26.00 ^{+0.40} _{-0.20}	28.45 ±0.55	29.00 ±0.40	
B	14.90 ±0.20	30.80 ±0.40	20.10 ±0.40	14.90 ±0.20	22.00 ±0.30	24.20 ±0.50	26.00 ^{+0.40} _{-0.20}	28.45 ±0.55	30.00 ±0.40	
C	4.50 ±0.20	8.70 ±0.30	4.40 ±0.20	4.50 ±0.20	3.80 ±0.20	4.00 ±0.30	4.50 ^{+0.10} _{-0.20}	5.00 ±0.30	5.00 ±0.30	
D	7.60 min.	13.10 min.	15.70 min.	7.60 min.	19.40 ±0.20	19.00 min.	21.00 ^{+0.30} _{-0.20}	22.20 min.	22.60 min.	
E	4.20 ±0.20	8.70 ±0.30	4.00 ±0.20	4.20 ±0.20	3.80 ±0.20	4.00 ±0.30	4.50 ±0.20	5.00 ±0.20	5.00 ±0.25	
F	15.90 min.	26.60 min.	15.70 min.	15.90 min.	17.60 ±0.20	19.00 min.	21.00 ^{+0.30} _{-0.20}	22.20 min.	23.60 min.	
H	2.65 ±0.15	6.90 ±0.20	2.00 ±0.20	2.65 ±0.15	2.20 ±0.15	2.40 ±0.15	2.50 ±0.15	2.90 ±0.15	3.00 ±0.20	
J	2.80 ±0.20	8.60 ±0.25	2.00 ±0.20	2.80	2.05 ±0.15	2.40 ±0.15	2.50 ±0.15	2.90 ±0.15	3.00 ±0.20	
C1(mm⁻¹)	4.190	1.557	2.930	4.160	3.700	3.460	3.120	2.670	2.700	
Le(mm)	56.2	104.0	50.5	56.1	57.2	60.8	66.0	71.1	74.3	
Ae(mm²)	13.4	67.1	17.2	13.5	15.5	17.5	21.1	26.6	27.5	
Ve(mm³)	754	7010	871	757	884	1060	1395	1890	2050	
Ac(mm²)			17.6	18.9	14.4	16.0	20.3	25.0	25.0	
Aw(mm²)	127.0	363.0	97.4	31.0	144.0	149.0	173.3	199.0	216.0	
W(g/set)	4.1	35.3	4.3	4.2	4.3	5.4	6.8	10.0	10.5	
Al value	SM-50	1450	3950	2150	1510	1700	1800	2010	2350	2350
	SM-60	1800	4840	2570	1810	2040	2180	2420	2820	2790
	SM-70S	2200	5800	3200	2270	2550	2700	3020	3600	3500
	SM-100	2900	7900	4300	3020	3400	3600	4030	4700	4650
	SM-120	3500	9500	5200	3600	4100	4300	4800	5600	5600

SQE CORES



Part No. **SQE3535N**

Type **SQE**

Dimensions in mm		
A		35.30 ±0.60
B		35.30 ±0.60
C		7.50 ±0.30
D		26.80 min.
E		7.50 ±0.30
F		26.80 min.
H		4.00 ±0.20
J		4.00 ±0.20

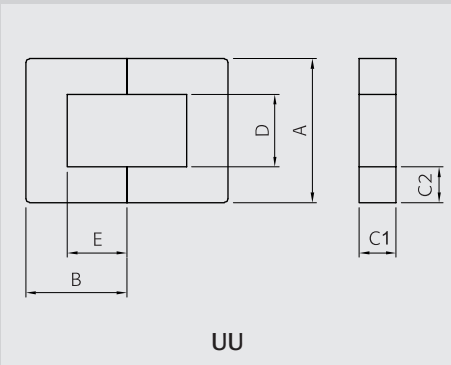
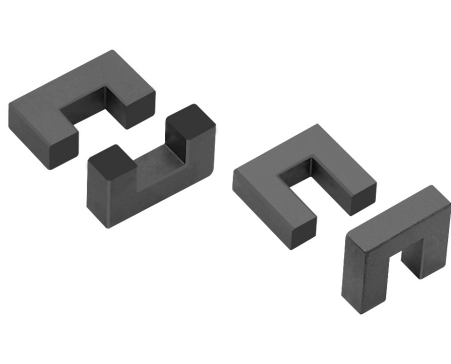
Core Set Parameters		
C1(mm ⁻¹)		1.494
Le(mm)		86.6
Ae(mm ²)		57.9
Ve(mm ³)		5020
Ac(mm ²)		56.2
Aw(mm ²)		270.0
W(g/set)		25.0

Electrical Characteristics		
AL value	SM-50	4200
	SM-60	5050
	SM-70S	6300
	SM-100	8400
	SM-120	10100

Note : 1) AL value

- Unit : nH/N²
- Measuring conditions : 1kHz, 0.1V, 100Ts, at 23°C
- Tolerance : ±25% (SM-100, SM-120 : ±30%)

UU CORES



Part No.		UU1014S	UU1015S	UU1116S	UU1320S
Type		UU	UU	UU	UU
Dimensions in mm	A	9.80 ±0.20	10.15 ±0.20	10.50 ±0.30	13.50 ±0.30
	B	7.10 ±0.10	7.40 ±0.20	7.90 ±0.20	9.90 ^{+0.00} _{-0.40}
	C1	2.70 ±0.20	2.90 ^{+0.10} _{-0.15}	5.00 ±0.30	5.00 ^{+0.00} _{-0.40}
	C2	2.80 ±0.10	2.90 ±0.10	2.50 ±0.20	3.50 ^{+0.00} _{-0.25}
	D	4.20 ±0.20	4.35 ±0.20	5.50 ±0.30	6.50 ^{+0.50} _{-0.00}
	E	4.20 ±0.20	4.20 ^{+0.35} _{-0.00}	5.40 ±0.20	6.10 ^{+0.30} _{-0.00}

Core Set Parameters	C1(mm ⁻¹)	4.460	4.190	3.240	3.010
	Le(mm)	34.1	35.5	40.5	49.2
	Ae(mm ²)	7.7	8.5	12.4	16.3
	Ve(mm ³)	261	300	505	803
	AW(mm ²)	35.2	38.0	59.4	84.3
	W(g/set)	1.3	1.5	2.5	4.0

Electrical Characteristics ⁽¹⁾⁽²⁾	AL value	PL-7	377	515	720	800
		PL-9	460	600	830	950
		PL-11	390	540	750	830
		PL-13	490	687	960	1060
		PL-15	390	540	750	830
		SM-50	770	830	1212	1400
		SM-60	920	996	1450	1680
		SM-70S	1180	1020	1550	1870
		SM-100	1210 min.	950 min.	1466 min.	1650 min.
	Core loss	PL-7	0.14	0.17	0.28	0.44
		PL-9	0.13	0.15	0.25	0.40
		PL-11	0.13	0.15	0.25	0.40
		PL-13	0.13	0.14	0.24	0.39
		PL-15	0.12	0.14	0.23	0.36

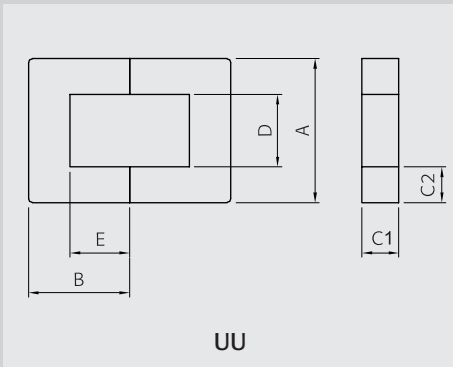
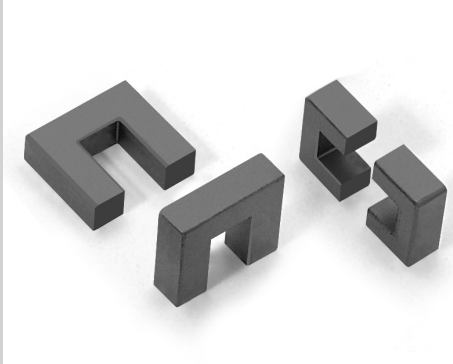
Note : 1) Core loss

- Unit : Watt max.
- Measuring conditions
- PL-7, PL-11, PL-15 : 100kHz, 200mT, at 100°C
- PL-9, PL-13 : 100kHz, 200mT, at 80°C
- 1) 25kHz, 200mT, at 100°C

2) AL value

- Unit : nH/N²
- Measuring conditions : 1kHz, 0.1V, 23°C
- Tolerance : ±25%
- SM-100 : Non mirror grinding
- 1) 1kHz, 1V

UU CORES



Part No.		UU1420S	UU1522S	UU1523N	UU1620S
Type		UU	UU	UU	UU
Dimensions in mm	A	14.00 ^{+0.00} _{-0.50}	15.20 ±0.30	15.20 ±0.50	16.00 ±0.20
	B	9.55 ±0.20	11.20 ±0.25	11.40 ±0.20	10.00 ±0.20
	C1	8.00 ^{+0.00} _{-0.50}	6.70 ^{+0.00} _{-0.50}	6.40 ^{+0.00} _{-0.20}	6.00 ±0.15
	C2	4.00 ^{+0.00} _{-0.50}	5.00 ref.	5.00 ±0.20	4.50 ref.
	D	5.60 min.	5.20 ±0.30	5.20 ±0.30	6.70 min.
	E	5.60 min.	5.70 ^{+0.70} _{-0.00}	6.40 ±0.20	6.00 ±0.20

Core Set Parameters		UU1420S	UU1522S	UU1523N	UU1620S
C1(mm ⁻¹)		1.630	1.551	1.616	1.996
Le(mm)		47.5	50.5	51.7	51.2
Ae(mm ²)		29.1	32.5	31.9	25.6
Ve(mm ³)		1380	1640	1650	1310
Aw(mm ²)		67.3	62.9	66.5	84.0
W(g/set)		6.7	8.5	8.6	7.2

Electrical Characteristics ⁽¹⁾⁽²⁾		AL value	UU1420S	UU1522S	UU1523N	UU1620S	
			PL-7	1300	1400	1360	1135
	PL-9	1700	1620	1600	1400		
	PL-11	1400	1500	1400	1200		
	PL-13	1733	1867	1813	1500		
	PL-15	1400	1500	1400	1200		
	SM-50	2600	2700	2600	2200		
	SM-60	3100	3240	3120	2580		
	SM-70S	3500	3500	3400	2780		
	SM-100	3100 min.	3200 min.	3100 min.	2550 min.		
Core loss		Core loss	PL-7	0.76	0.90	0.91	0.72
			PL-9	0.69	0.82	0.83	0.66
			PL-11	0.69	0.82	0.83	0.66
			PL-13	0.66	0.79	0.79	0.63
			PL-15	0.62	0.74	0.74	0.59

Note : 1) Core loss

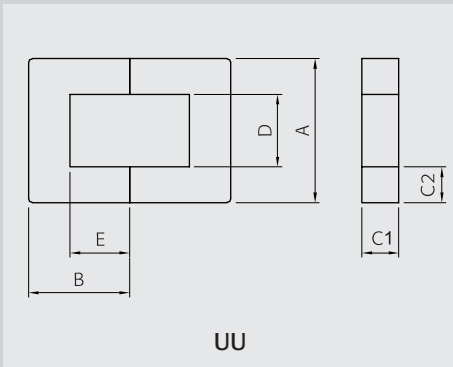
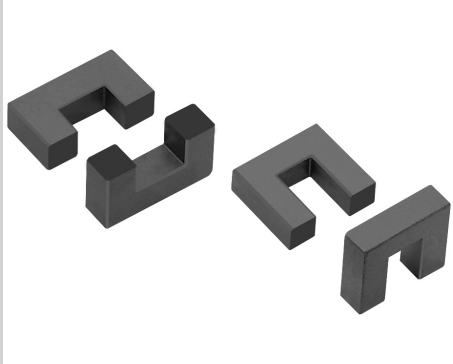
- Unit : Watt max.
- Measuring conditions
- PL-7, PL-11, PL-15 : 100kHz, 200mT, at 100°C
- PL-9, PL-13 : 100kHz, 200mT, at 80°C
- 1) 25kHz, 200mT, at 100°C

2) AL value

- Unit : nH/N²
- Measuring conditions : 1 kHz, 0.1V, 23°C
- Tolerance : ±25%
- SM-100 : Non mirror grinding
- 1) 1kHz, 1V

	UU1622S	UU1820S	UU2027S	UU2132S	UU2323S	UU2528S	UU2537S	UU2633SN	UU2831S	
	UU	UU	UU	UU	UU	UU	UU	UU	UU	
A	16.00 ±0.30	18.00 ±0.30	20.50 ±0.30	20.80 ±0.60	23.00 ±0.50	25.00 ±0.40	24.50 ±0.70	26.50 ±0.50	28.00 ^{+0.00} _{-0.50}	
B	11.00 ±0.20	10.00 ±0.20	13.50 ^{+0.50} _{-0.00}	15.55 ±0.25	11.40 ±0.20	14.00 ±0.20	18.30 ±0.25	16.50 ±0.25	15.50 ^{+0.00} _{-0.50}	
C1	6.00 ±0.15	6.00 ±0.15	11.00 ±0.25	7.45 ±0.25	6.40 ±0.20	7.00 ±0.30	7.30 ±0.30	16.00 ±0.25	7.00 ^{+0.00} _{-0.50}	
C2	4.50 ref.	4.50 ref.	5.00 ±0.15	7.25 ref.	5.00 ±0.20	7.00 ±0.20	7.30 ref.	5.00 ^{+0.00} _{-0.50}	7.00 ^{+0.00} _{-0.50}	
D	6.70 min.	8.70 min.	10.50 ±0.30	6.30 ±0.30	13.00 ±0.30	11.00 ref.	9.90 ±0.30	16.00 ^{+1.50} _{-0.00}	14.00 ^{+0.50} _{-0.00}	
E	7.00 ±0.15	6.50 ±0.15	8.50 ^{+0.50} _{-0.00}	8.30 ±0.30	6.40 ±0.20	7.00 ±0.30	10.85 ±0.25	11.50 ^{+0.50} _{-0.00}	8.50 ^{+0.50} _{-0.00}	
C1(mm ⁻¹)	2.140	2.15	1.270	1.270	1.366	1.469	1.510	0.62	1.88	
Le(mm)	55.2	54.0	71.0	68.6	32.1	72.0	84.4	95.8	84.3	
Ae(mm ²)	25.7	25.1	55.8	54.0	23.6	49.0	55.8	155.3	44.8	
Ve(mm ³)	1420	1357	3962	3700	756	3520	4709	14878	3773	
AW(mm ²)	98.0	113.1	178.5	104.0	166.4	154.0	214.8	368	238	
W(g/set)	7.3	7.1	20.0	19.0	11.0	18.5	23.9	36.0	24.0	
AL value	PL-7	1050	1000	1760	1760	1020	1530	1310	1370	1120
	PL-9	1200	1250	2060	2060	1280	1800	1640	1700	1400
	PL-11	1100	1050	1800	1800	1065	1600	1365	1420	1167
	PL-13	1400	1330	2347	2347	1365	2040	1740	1820	1493
	PL-15	1100	1050	1800	1800	1065	1600	1365	1420	1167
	SM-50	2100	2050	3650	3650	2130	3150	2735	2850	2333
	SM-60	2520	2450	4380	4380	2560	3780	3280	3420	2800
	SM-70S	2700	2700	4820	4700	3200	4200	4100	3800	3500 ¹⁾
SM-100	2500 min.	2400 min.	4300 min.	4350 min.	2560 min.	3750 min.	3280 min.	3400 min.	2800 min.	
Core loss	PL-7	0.78	0.75	2.18	2.04	0.42	1.94	2.59	8.20	2.2
	PL-9	0.71	0.68	1.98	1.85	0.38	1.76	2.35	7.50	2
	PL-11	0.71	0.68	1.98	1.85	0.38	1.76	2.35	7.50	2
	PL-13	0.68	0.65	1.90	1.78	0.36	1.69	2.26	7.40	1.90
	PL-15	0.64	0.61	1.78	1.67	0.34	1.58	2.12	7.00	1.85

UU CORES



Part No.		UU3356S	UU3639S	U8065S	U93
Type		UU	UU	UU	UU
Dimensions in mm	A	32.50 ±0.70	36.00 ^{+0.00} / _{-0.50}	80.00 ±1.60	93.00 ±1.80
	B	27.75 ±0.50	19.50 ^{+0.00} / _{-0.50}	64.80 ±0.50	76.00 ±0.50
	C1	12.50 ±0.30	12.00 ^{+0.00} / _{-0.50}	31.80 ±0.60	30.00 ±0.80
	C2	9.50 ref.	7.00 ^{+0.00} / _{-0.50}	22.30 ref.	28.00 ref.
	D	13.50 ±0.50	22.00 ^{+0.50} / _{-0.00}	35.20 ±1.20	35.00 min.
	E	17.75 ^{+0.5} / _{-0.20}	12.50 ^{+0.50} / _{-0.00}	42.50 ±0.80	48.00 ±0.90

Core Set Parameters		UU3356S	UU3639S	U8065S	U93
C1 (mm ⁻¹)		1.07	1.50	0.440	0.421
Le (mm)		128.6	116.2	310	354
Ae (mm ²)		120.7	77.6	704	840
Ve (mm ³)		15522	9015	218240	297000
Aw (mm ²)		479.25	550	2992	3475
W (g/set)		78.0	43.5	575	760

Electrical Characteristics ⁽¹⁾⁽²⁾		UU3356S	UU3639S	U8065S	U93
AL value	PL-7	2650	1280	6000	6400
	PL-9	3313	1600	7500	8000
	PL-11	2760	1333	6250	8500
	PL-13	3533	1707	8000	6600
	PL-15	2760	1333	6250	8500
	SM-50	5521	2667		
	SM-60	6625	3200		
	SM-70S	8281	4000 ¹⁾		
	SM-100	6500 min.	3200 min.		
	Core loss	PL-7	8.54	4.96	30 ¹⁾
PL-9		7.76	4.51	27 ¹⁾	36 ¹⁾
PL-11		7.76	4.51	27 ¹⁾	36 ¹⁾
PL-13		7.45	4.33	27 ¹⁾	36 ¹⁾
PL-15		6.98	4.06	25 ¹⁾	33 ¹⁾

Note : 1) Core loss

- Unit : Watt max.
- Measuring conditions
- PL-7, PL-11, PL-15 : 100kHz, 200mT, at 100°C
- PL-9, PL-13 : 100kHz, 200mT, at 80°C
- 1) 25kHz, 200mT, at 100°C

2) AL value

- Unit : nH/N²
- Measuring conditions : 1 kHz, 0.1V, 23°C
- Tolerance : ±25%
- SM-100 : Non mirror grinding
- 1) 1kHz, 1V